

Technical Bulletin

Installation Advice: Flue Configuration & Terminal Positions

Acceptable Situations

The information provided within our installation manuals is comprehensive but we cannot cover every single flue permutation.

To assist with determining whether a flue installation complies with the requirements of Worcester Bosch or whether it needs to be classified as *not to current standards* or is subject to categorisation under the Gas Industry Unsafe Situations Procedure (GIUSP), this additional guidance should be referenced.

Routing Condensfit II flue externally

It is acceptable to route Condensfit II flue externally. Protection must be provided against accidental damage or vandalism to any section that is less than 2m above any area where pedestrian access is possible.

Each section of the Flue must be supported with a fixed rigid bracket; these must not be spaced at more than 1m intervals.

The seals used in the flue joints are weather and UV resistant so no additional protection is required. In order to prevent the ingress of rain into the air intake tube; a silicone bead must be applied to the telescopic joint of the terminal section if it is used externally.

If a terminal arrangement is used as shown in figure 1, then providing the terminal section is no longer than 150mm and has two screws securing it to the elbow, the terminal section will not require a supporting bracket. The terminal section is measured as shown in Fig. 1.1

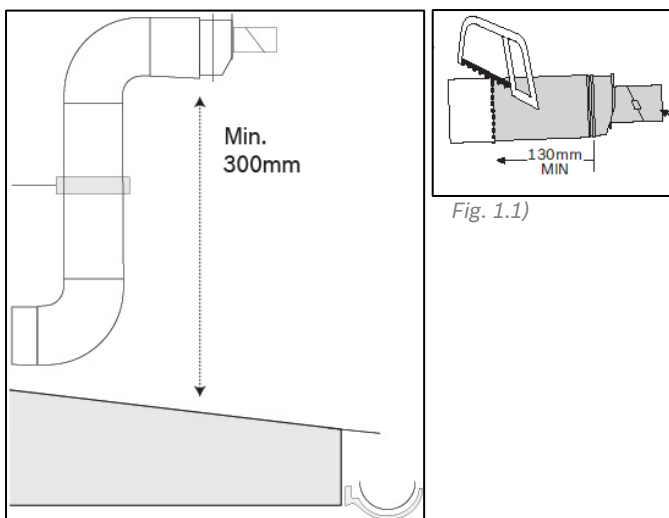


Fig. 1) Terminal Arrangement

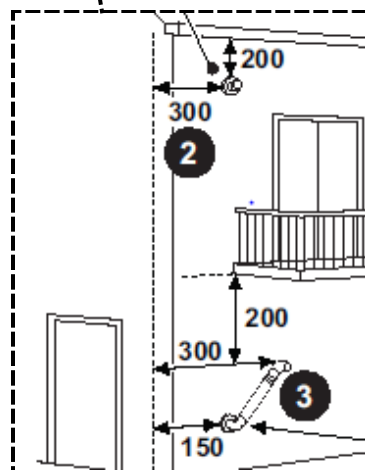
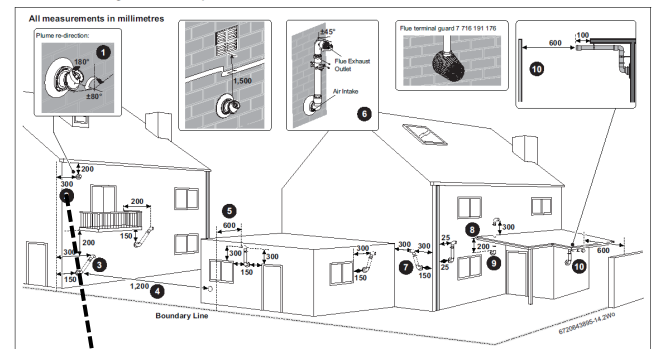
Achieving boundary clearances

You must always ensure that the plume or noise from a flue terminal will not cause a nuisance when it is in close proximity to a boundary line.

The guidance in our installation manuals (Fig. 2) shows that flue terminals must be no closer than 300mm adjacent to a boundary line.

The same 300mm measurement would apply to flues configured with plume management as shown in Fig 2.1. If the exhaust terminal is facing the boundary line, then 600mm distance must be maintained between the terminal and the boundary.

4.11 Plume management terminal positions



2. 300mm adjacent to a boundary line.
3. Plume Management kit air intake can be reduced to 150mm providing the flue exhaust outlet is no less than 300mm adjacent to a boundary line.

Fig. 2) Installation Instructions details

Whilst it is always our intention to fully assist, it is essential to recognise that all information given by the company in response to an enquiry of any nature is provided in good faith and based upon the information provided with the enquiry. We recommend that advice should always be checked with your installer or contract partner. Consequently, the company cannot be held responsible for any liability relating to the use or repetition of such information or part thereof. In addition, whilst making every reasonable effort to monitor the performance and quality of our supply, installation and service network, we do not accept responsibility for the workmanship or operation of any third party company that the company may have promoted either in conversation, e-mail, or other communication. Similarly, the views and opinions expressed in communication with individuals within the company may not reflect that of the business as a whole.

You can find this, and all issued technical bulletins on the Worcester website at: www.worcester-bosch.co.uk/tb or www.worcester-bosch.ie/tb

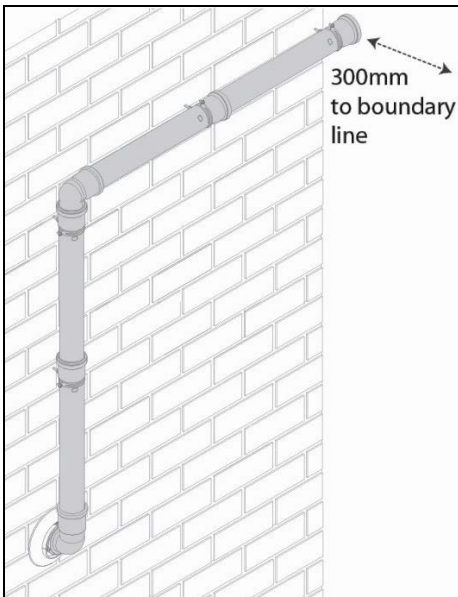


Fig. 2.1) Example of a plume terminal adjacent to a boundary

If a plume management kit is installed as shown in Fig. 3 then the distance from the air intake to the boundary can be reduced to 300mm.

The terminal must have a minimum 300mm clearance to the surface below. There must be at least 600mm clearance when measured horizontally in a straight line from the exhaust terminal to any other surface.

If the plume is directed towards an adjacent wall that has openings into the building, then there must be a minimum distance of 1500mm to the opening.

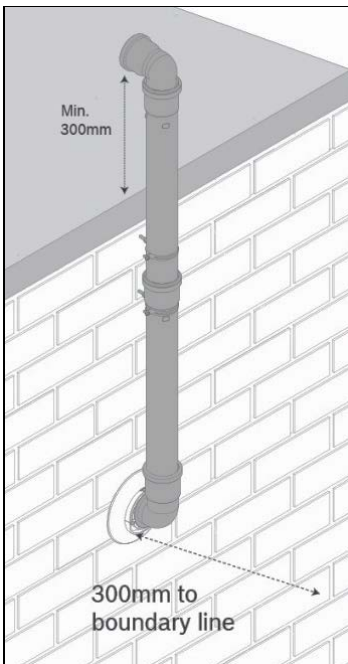


Fig. 3) Air Intake reduction for plume/boundary re-direction

Plume Management kits used in carports

If a plume management kit is installed within the confines of a carport or other covered, partially enclosed extension, then the exhaust terminal must be positioned at least 1200mm away from any opening into the building that is sited within the footprint of the carport.

If the exhaust terminal is extended at least 300mm beyond the footprint of the carport then the distance from the terminal to an opening within the carport can be reduced to 600mm.

The exhaust terminal can also be routed through the roof of the carport providing 25mm clearance is provided around the flue pipe to any flammable material and that it extends at least 300mm above the roof.

The air intake must have a minimum 150mm clearance to any opening in the building in order to ensure the integrity of the structure is maintained.

If the exhaust terminates within the footprint of the carport then the carport must have at least two sides completely open. If the exhaust terminates at least 300mm beyond the footprint of the carport then the carport must have at least one completely open side.

The exhaust terminal must be positioned to ensure that plume will not cause nuisance or damage to vehicles; vehicles must not impede on the minimum clearances for the flue terminal(s).

Whilst it is always our intention to fully assist, it is essential to recognise that all information given by the company in response to an enquiry of any nature is provided in good faith and based upon the information provided with the enquiry. We recommend that advice should always be checked with your installer or contract partner. Consequently, the company cannot be held responsible for any liability relating to the use or repetition of such information or part thereof. In addition, whilst making every reasonable effort to monitor the performance and quality of our supply, installation and service network, we do not accept responsibility for the workmanship or operation of any third party company that the company may have promoted either in conversation, e-mail, or other communication. Similarly, the views and opinions expressed in communication with individuals within the company may not reflect that of the business as a whole.

You can find this, and all issued technical bulletins on the Worcester website at: www.worcester-bosch.co.uk/tb or www.worcester-bosch.ie/tb